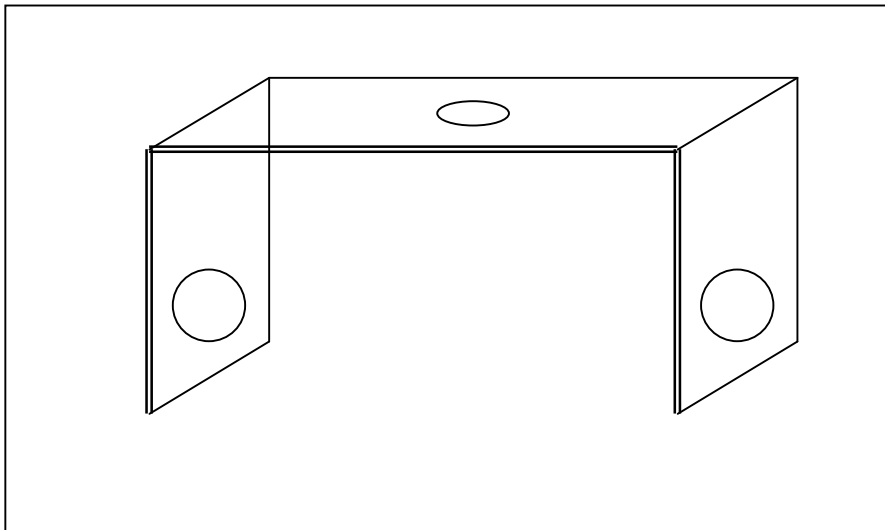
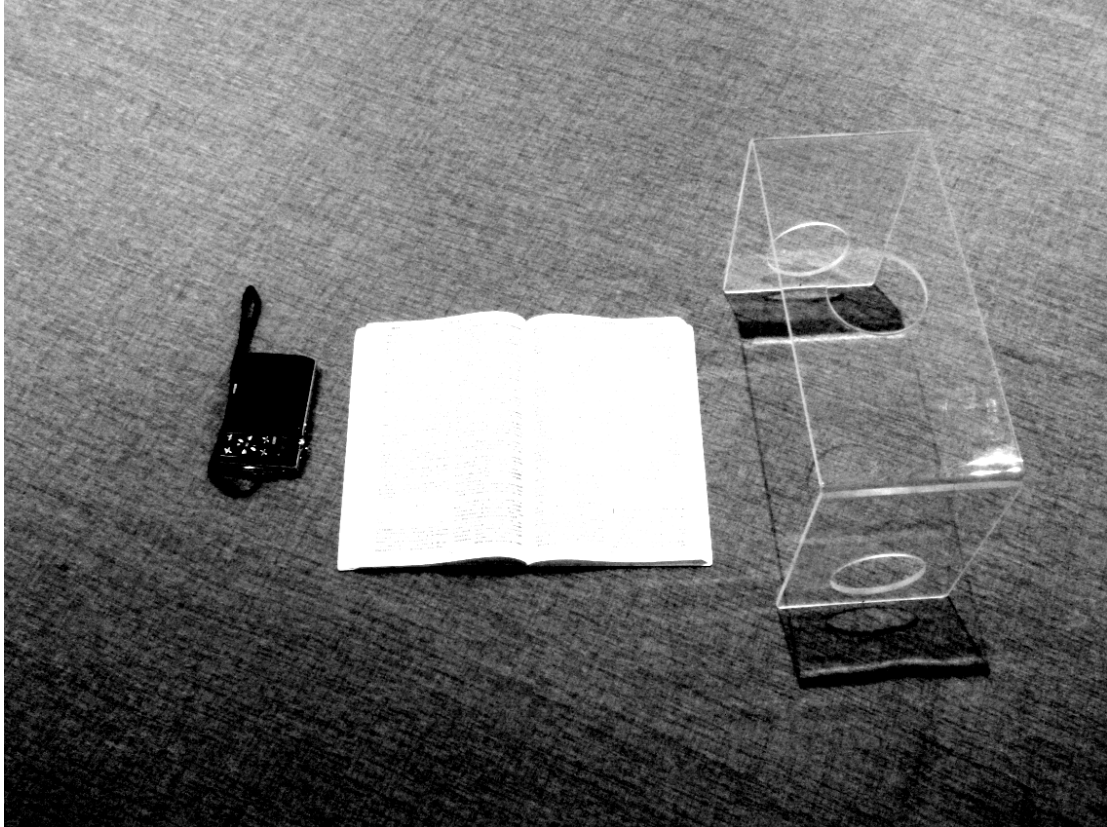


earlyBRIDGE

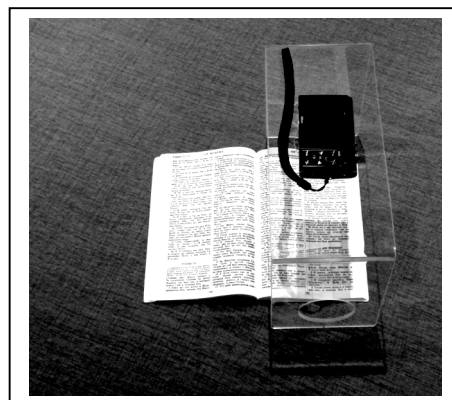
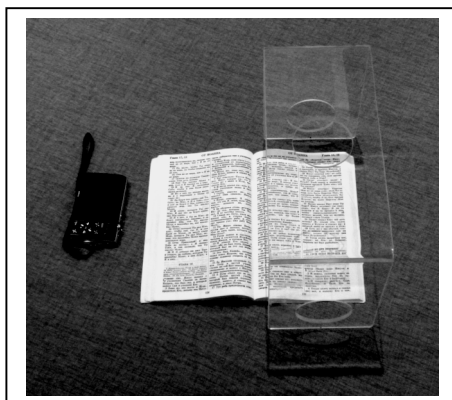
Camera Support



8 mm Perspex
20 cm high 12 cm deep 28 cm wide
3 x 5.4 cm apertures

look@earlybook.info
<http://www.earlybook.info>
UK Patent Applied for 1119120.2

earlyBRIDGE with Quarto



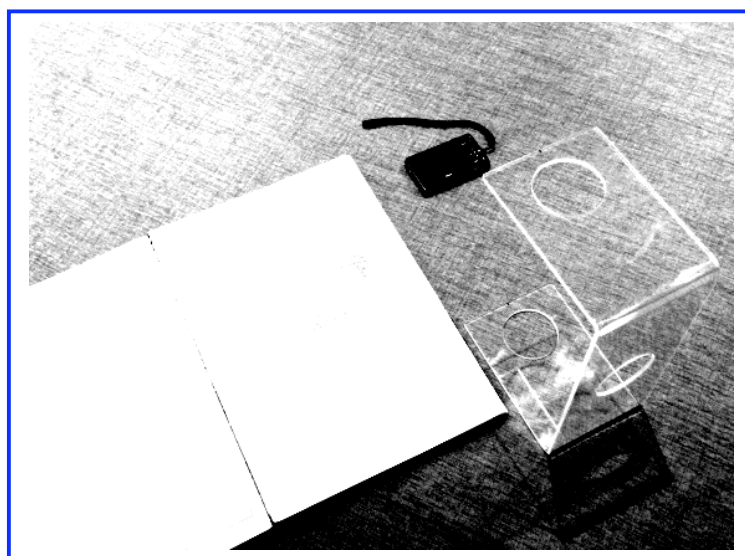
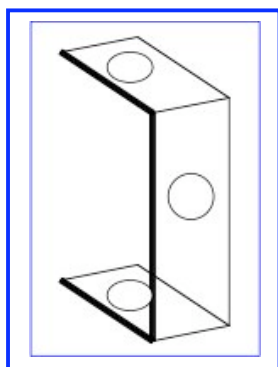
earlyBRIDGE in place

Camera on earlyBRIDGE

Use light from side, delayed shutter release and no flash

earlyBRIDGE with Folio

Upend the earlyBRIDGE



Slide lower edge of earlyBRIDGE under binding at folio base

Place camera on earlyBRIDGE

Take image of folio base

Remove camera and earlyBRIDGE

Place lower edge of earlyBRIDGE under binding at folio top

Place camera on earlyBRIDGE

Take image of folio top

look@earlybook.info

<http://www.earlybook.info>

UK Patent Applied for 1119120.2